

SEARS

OWNERS MANUAL

Model No.
9-26478

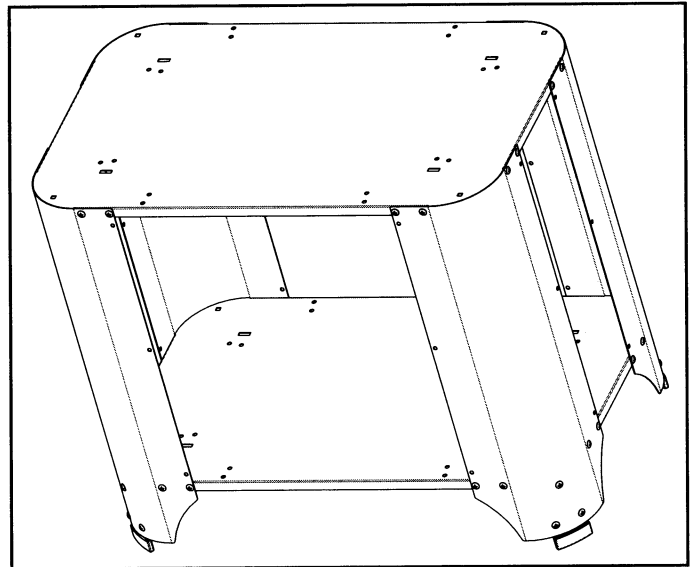
CRAFTSMAN[®]

FLOOR STAND

SAFETY

ASSEMBLY

PARTS LIST



WARNING:

Before operating product, read this manual and follow all its Safety and Operating Instructions.




Sears, Roebuck and Co., Hoffman Estates IL 60179 USA

9-26478 01/01 Printed in U.S.A.

TABLE OF CONTENTS

General Safety Instructions for Power Tools	3
Additional Safety Instructions for Router Tables	4
Introduction	5
Unpacking and Checking Contents	5
Assembly	6
Tools Required	6
Assembly of the Floor Stand	6
Assembly of the Levelers to the Floor Stand	6
Leveling the Floor Stand	7
Assembly of the Router Table to the Floor Stand	7
Craftsman Router Tables Model #26463.....	7
Craftsman Router Tables Model #26462.....	8
Craftsman Router Tables Model #25483.....	8
Craftsman Router Tables Model #25480, #25481 and #25560	8
Craftsman Router Tables Model #26460 and #26461.....	8
Craftsman Router Tables not listed and other router tables.....	8
Parts List	10

SAFETY GUIDELINES – DEFINITIONS

<p>This manual contains information that is important for you to know and understand. This information relates to protecting YOUR SAFETY and PREVENTING EQUIPMENT PROBLEMS. To help you recognize this information, we use the symbols to the right. Please read the manual and pay attention to these sections.</p>	 DANGER	 CAUTION
	<p>URGENT SAFETY INFORMATION - A HAZARD THAT <i>WILL</i> CAUSE SERIOUS INJURY OR LOSS OF LIFE</p>	<p>INFORMATION FOR PREVENTING DAMAGE TO EQUIPMENT</p>
	 WARNING	NOTE
	<p>IMPORTANT SAFETY INFORMATION - A HAZARD THAT <i>MIGHT</i> CAUSE SERIOUS INJURY OR LOSS OF LIFE</p>	<p>INFORMATION THAT YOU SHOULD PAY SPECIAL ATTENTION TO</p>

GENERAL SAFETY INSTRUCTIONS FOR POWER TOOLS



Failure to heed all safety and operating instructions and warnings regarding use of this product can result in serious bodily injury.

1. Know your power tool

Read the owner's manual carefully. Learn its application and limitations as well as the specific potential hazards peculiar to this tool.

2. Ground all tools (unless double insulated)

If tool is equipped with an approved three-conductor cord and a three-prong grounding type plug, it should be plugged into a three hole electrical receptacle. If adapter is used to accommodate a two-hole receptacle, the adapter wire must be attached to a known ground (usually the screw securing receptacle cover plate). Never remove third prong. Never connect green ground wire to a terminal.

3. Keep guards in place

Maintain in working order, and in proper adjustment and alignment.

4. Remove adjusting keys and wrenches

Form a habit of checking to see that keys and adjusting wrenches are removed from tool before turning it ON.

5. Keep work area clean

Cluttered areas and benches invite accidents. Floor must not be slippery due to wax or sawdust.

6. Avoid dangerous environment

Do not use power tools in damp or wet locations or expose them to rain. Keep work area well lighted. Provide adequate surrounding work space.

7. Keep children away

All visitors should be kept a **safe** distance from work area.

8. Make workshop child-proof

Use padlocks, master switches, or remove starter keys.

9. Do not force tools

They will do the job better and safer at the rate for which they were designed.

10. Use the right tool

Do not force tool or attachment to do a job it was not designed to perform.

11. Wear correct apparel

Do not wear loose clothing, gloves, neckties or jewelry (rings, wristwatches) that may get caught in moving parts. Non-slip footwear is recommended. Wear protective hair covering to contain long hair. Roll long sleeves above the elbow.

12. Use safety goggles (Head Protection)

Wear safety goggles (must comply with ANSI Standard Z87.1) at all times. Also, use face or dust mask, if cutting operation is dusty, and ear protectors (plugs or muffs) during extended periods of operation.

13. Secure work

Use clamps or a vise to hold work when practical. It's safer than using your hands, and it frees both hands to operate tool.

14. Do not over reach

Keep proper footing and balance at all times.

15. Maintain tools with care

Keep tools sharp and clean for best and safest performance. Follow instructions for lubricating and changing accessories.

16. Disconnect tools before servicing

Before servicing, when changing accessories such as blades, bits, cutters, etc.

17. Avoid accidental starting

Make sure switch is in OFF position before plugging in.

18. Use recommended accessories

Consult the owner's manual for recommended accessories and follow the instructions. The use of improper accessories may cause hazards.

19. Never stand on tool

Serious injury could occur if the tool is tipped or if the cutting tool is accidentally contacted. DO NOT store materials above or near the tool making it necessary to stand on the tool to reach them.

20. Check damaged parts

Before further use of the tool, any guard or other part that is damaged should be carefully checked to ensure that it will operate properly and perform its intended function. Check for alignment of moving parts, binding of moving parts, breakage of parts, mounting, and any other conditions that may affect its operation. A guard or any other part that is damaged should be properly repaired or replaced.

21. Direction of feed

Feed work into a blade or cutter AGAINST the direction of rotation of the blade or cutter only.

22. Never leave tool running unattended

Turn power OFF. DO NOT leave tool until it comes to a complete stop.

23. Keep hands away from cutting area

24. Store idle tools

When not in use, tools should be stored in dry, high or locked-up place – out of reach of children.

25. Do not abuse cord

Keep cord away from heat, oil and sharp edges.

26. Outdoor extension cords

When tool is used outdoors, use only extension cords suitable for use outdoors and so marked.

27. Never use in an explosive atmosphere

Normal sparking of the motor could ignite fumes, flammable liquids, or combustible items.

28. Drugs, alcohol, medication

DO NOT operate tool while under the influence of drugs, alcohol, or any medication.

Read and Understand this instruction book completely BEFORE using this product.


ADDITIONAL SAFETY INSTRUCTIONS FOR ROUTER TABLES

1. Always wear eye protection that complies with ANSI Standard Z87.1.

2. Noise levels vary widely with location. To avoid possible hearing damage, wear ear plugs or ear muffs when using your router table for long periods of time.

3. For dusty operations, wear a dust mask along with safety goggles.

4. Follow the instructions in your router owner's manual.

5.  **WARNING** Vibrations, caused by the router during use, can cause fasteners to become loose. Before use and periodically during use, check all fasteners to make sure that all are tight and secure.

6. Do not use this product until all assembly and installation steps have been completed. Make sure you have read and understood all safety and operational instructions in this manual and the router owner's manual.

7. Make sure that the router bit is properly positioned and clamped in the router before making any cuts.

8. Do not use the router table as a workbench or work surface. Doing so may damage it, causing it to be unsafe to use. A workbench should be used for this purpose.

9. This product is designed for cutting flat workpieces. Do not cut or attempt to cut workpieces that are not flat.

10. This product is designed for cutting wood workpieces only. Do not use to cut metal or other non-wood materials.

11. The use of auxiliary in-feed and out-feed supports is strongly recommended when routing long workpieces. Otherwise those workpieces can cause the router table to tip over.

12. Keep hands clear of the router bits and working area.

13. Make and use a push stick to move small workpieces across the cutting area.

14. Clean the router after use. The use of a wet/dry vac or vacuum equipment is recommended.

15. Always make sure that work surface of the router table is clean and free from dust, chips, and foreign particles that can interfere with the cut you are going to make. The use of a wet/dry vac or vacuum equipment is recommended.

16. Check the function of the guard before each use. Remove all dust, chips, and any other foreign particles that can affect its function.

17. **WARNING** Never put your fingers under the overhead guard when the router is plugged into an electrical outlet or when the router bit is rotating.
18. Always use the fence to guide the workpiece.
19. Always feed the workpiece **AGAINST** the rotation of the cutter or router bit.
20. Router bits are extremely sharp; be extra careful when handling and using them.
21. Make sure that the router bits being used are sharp or have been properly resharpened. This will permit fast, efficient, and **SAFE** routing.
22. Some routers, when positioned in an upside down position (such as on a router table), will drop or fall out of the router base when the base clamp is loosened to adjust height or depth of cut. Therefore, it is extremely important to support the router from below when making these adjustments or whenever the base clamp is loosened.
23. Always look under the router table at the router switch box when turning the router **ON** or **OFF**. **DO NOT** touch anything but the switch box when doing

this. **NEVER** reach under the router table for any reason when the router is running, except to turn it **OFF**.

24. **WARNING** Before making any cut, make sure the router is turned **OFF**, the router bit is not rotating, and the power cord is unplugged from the electrical outlet. Then, make absolutely sure that the overhead guard clears the router bit and the workpiece. A trial pass, with the router turned **OFF** and the router bit not turning, is strongly recommended.

25. **WARNING** Never leave the router table unattended while the router is running. Turn the router **OFF** before leaving the router table for any reason.
26. If **ANY** of the parts is missing, **DO NOT** attempt to assemble, install, or use your router table until the missing parts have been found or replaced and your router table has been properly and correctly assembled per the Owner's Manual.

27. **DANGER** Never use the floor stand (leg set) as a ladder and **DO NOT** stand on the router table.

INTRODUCTION

The floor stand:

- Places the router table at optimal working height
- Has adjustable non-slip foot pads for leveling table on uneven floor surfaces

- Has two heavy duty steel shelves for storage
- Will accept all Craftsman router tables available after 1997

UNPACKING AND CHECKING CONTENTS

Refer to Parts List on page 10.

- **WARNING** If **ANY** of the parts is missing, **DO NOT** attempt to assemble, install, or use your router table until the missing parts have been found or replaced, and your router table has been properly and correctly assembled per this manual.
- For missing parts, call Sears Service, at 1-800-366-7278.

- In order to simplify handling and to minimize any damage that may occur during shipping, your router table comes unassembled.
- Separate all parts from the packaging materials and check each part against the illustrations and the parts list at the end of this manual, to make sure that all parts have been included. Do this before discarding any of the packaging material.

ASSEMBLY

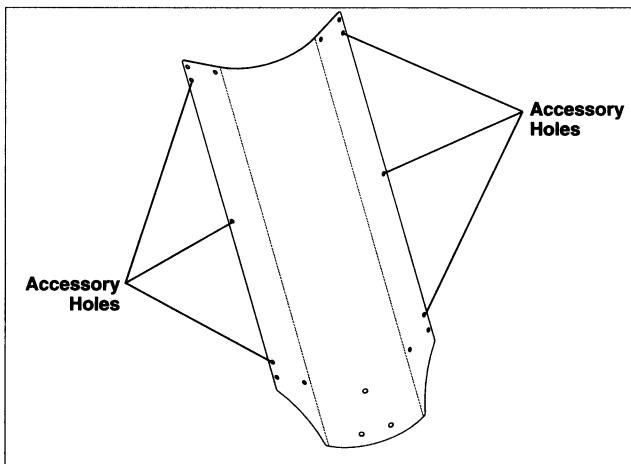
TOOLS REQUIRED

- Medium sized Phillips screwdriver
- Small sized adjustable wrench (or a set of nutdrivers, open end wrenches, or box wrenches)

ASSEMBLY OF THE FLOOR STAND

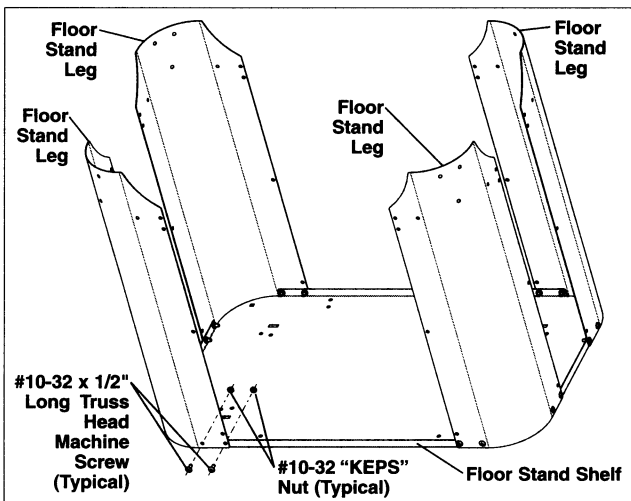
Referring to Figure 1, it can be seen that there are a series of three holes along each edge of the floor stand leg. These are accessory holes for assembling an enclosure kit to the floor stand. They **are not** used to assemble the floor stand.

FIGURE 1



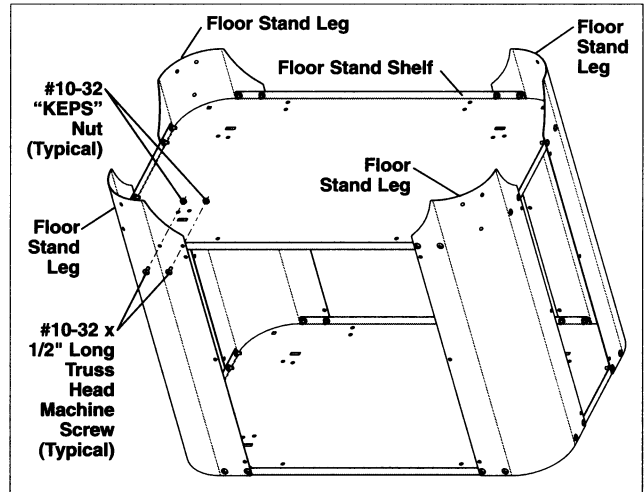
1. Place one of the floor stand shelves topside down on the floor or on a workbench, as shown in Figure 2.
2. Assemble the floor stand legs to the floor stand shelf, using #10-32 "KEPS" nuts and #10-32 x 1/2" long truss head machine screws, as shown in the figure.
3. Loosely tighten fasteners.

FIGURE 2



4. Assemble the second floor stand shelf to the floor stand legs, using #10-32 "KEPS" nuts and #10-32 x 1/2" long truss head machine screws, as shown in Figure 3.

FIGURE 3

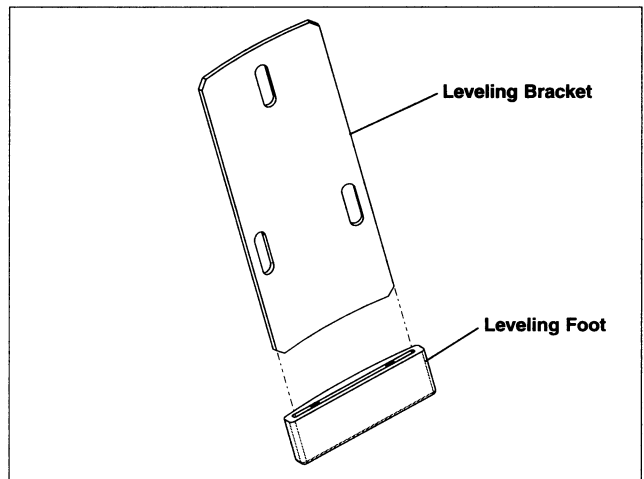


5. SECURELY TIGHTEN ALL FASTENERS.

ASSEMBLY OF THE LEVELERS TO THE FLOOR STAND

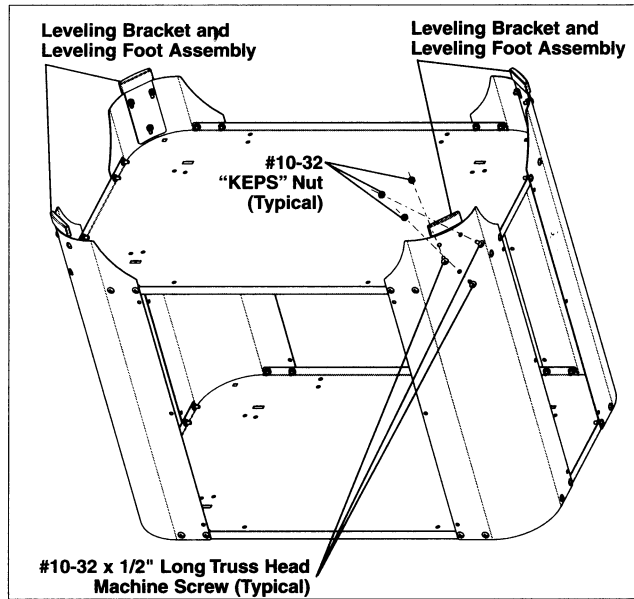
1. Assemble the four leveling feet to the four leveling brackets, as shown in Figure 4.

FIGURE 4



2. Assemble the four leveling bracket and leveling foot assemblies to the four floor stand legs, using #10-32 "KEPS" nuts and #10-32 x 1/2" long truss head machine screws, as shown in Figure 5.
3. Do not tighten the fasteners at this time. The brackets should be free to move up and down on the legs.

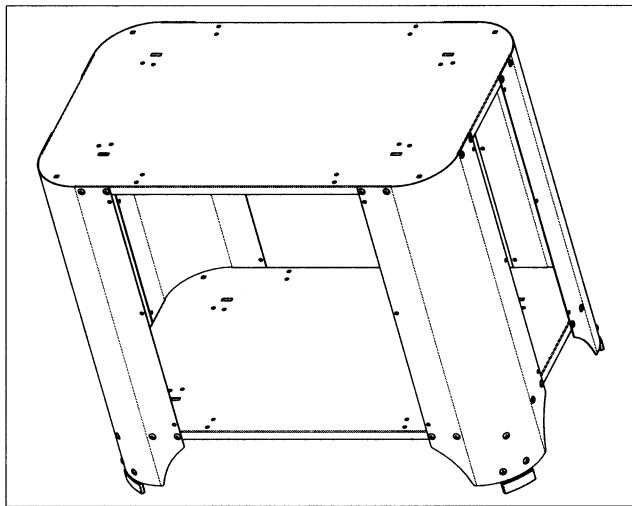
FIGURE 5



LEVELING THE FLOOR STAND

1. Set the floor stand right side up on the floor, as shown in Figure 6.

FIGURE 6



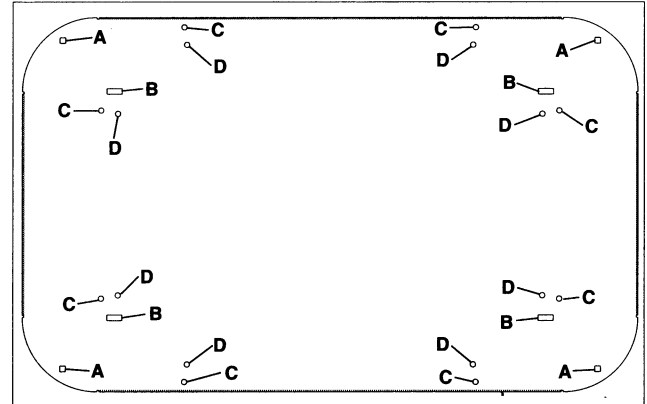
2. Adjust the leveling brackets so that the top shelf is level with floor and all four leveling feet are in contact with the floor.
3. SECURELY TIGHTEN THE FASTENERS HOLDING THE LEVELING BRACKETS TO THE FLOOR STAND LEGS.
4. It may be necessary for you to adjust the leveling brackets, as described in Step 2, whenever the floor stand is moved to new or different location. All fasteners securing the leveling brackets to the legs are to be loose any time this adjustment is made.
5. SECURELY RETIGHTEN THE FASTENERS HOLDING THE LEVELING BRACKETS TO THE FLOOR STAND LEGS ANY TIME THIS IS DONE.

ASSEMBLY OF THE ROUTER TABLE TO THE FLOOR STAND

Numerous popular router tables can be assembled to the floor stand.

Figure 7 shows the various hole patterns that are used when assembling these router tables to the floor stand.

FIGURE 7

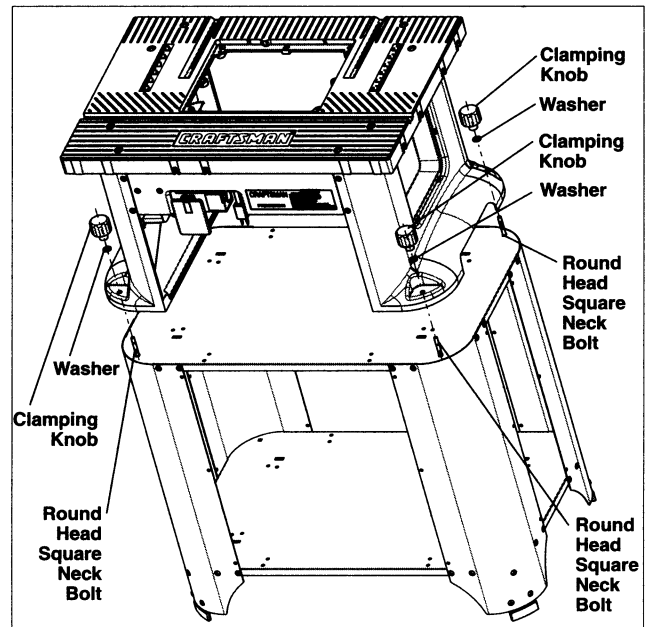


WARNING MAKE SURE THAT THE ROUTER IS TURNED "OFF" AND UNPLUGGED FROM THE ELECTRICAL OUTLETS BEFORE ASSEMBLING THE ROUTER TABLE TO THE FLOOR STAND, IF THE ROUTER IS CURRENTLY INSTALLED ON THE ROUTER TABLE.

Craftsman Router Tables Model #26463

Use hole pattern "A" with the 1/4-20 x 1-3/4" long round head square neck bolts, clamping knobs, and 9/32" I.D. x 5/8" O.D. x 1/16" thick washers, provided. SECURELY TIGHTEN ALL FASTENERS. Refer to Figure 8 for a typical installation.

FIGURE 8



ASSEMBLY

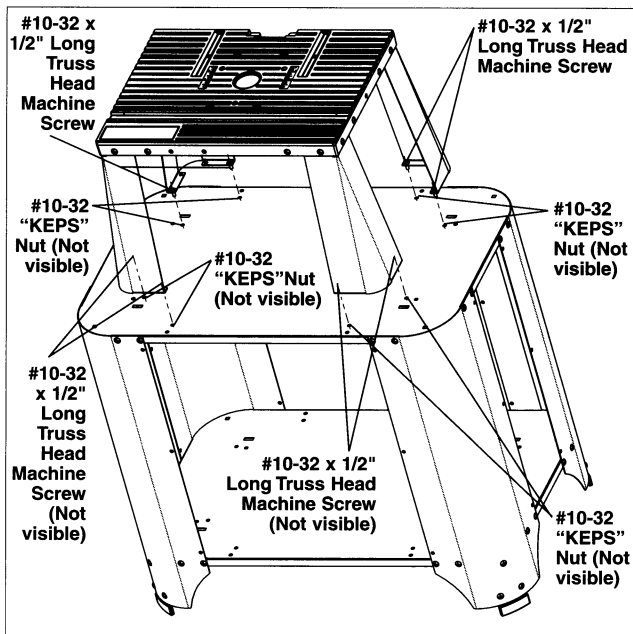
Craftsman Router Tables Model #26462

Use hole pattern "B" with the 1/4-20 x 1-3/4" long round head square neck bolts, clamping knobs, and 9/32" I.D. x 5/8" O.D. x 1/16" thick washers, provided. SECURELY TIGHTEN ALL FASTENERS. Refer to Figure 8 on page 8 for a typical installation.

Craftsman Router Tables Model #25483

Hole pattern "C" with the #10-32 x 1/2 long truss head machine screws and #10-32 "KEPS" nuts. SECURELY TIGHTEN ALL FASTENERS. Refer to Figure 9 for a typical installation.

FIGURE 9



Craftsman Router Tables Model #25480, #25481 and #25560

Hole pattern "D" with the #10-32 x 1/2 long truss head machine screws and #10-32 "KEPS" nuts. SECURELY TIGHTEN ALL FASTENERS. Refer to Figure 9 for a typical installation.

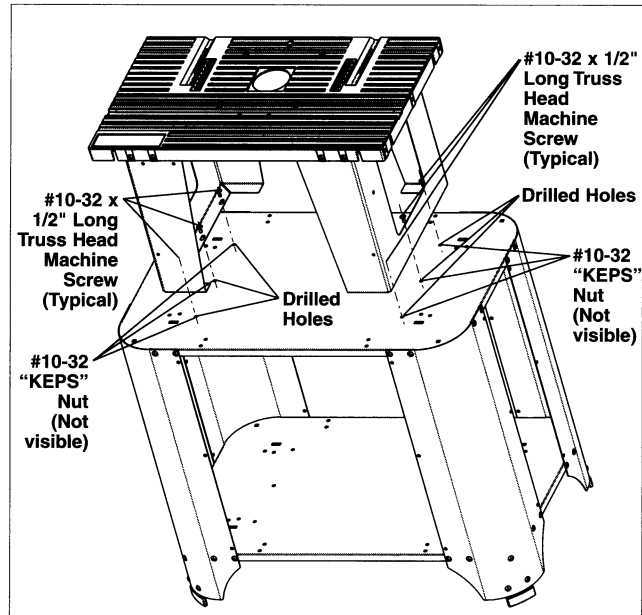
Craftsman Router Tables Model #26460 and #26461

Hole pattern "D" with the #10-32 x 1/2 long truss head machine screws and #10-32 "KEPS" nuts, provided. SECURELY TIGHTEN ALL FASTENERS. Refer to Figure 9 for a typical installation.

Craftsman router tables not listed and other router tables

1. Set the router table on the floor stand as shown in the Figure 10.
2. Make sure the router table is centered on the shelf.
3. Spot the location of the holes in router table legs onto the shelf.

FIGURE 10



4. Remove the router table and drill 1/4" diameter holes at the locations previously spotted.
5. Set the router table on the floor stand shelf so that the holes in the router table legs line-up with the drilled holes.
6. Use the #10-32 x 1/2 long truss head machine screws and #10-32 "KEPS" nuts, provided, to secure the router table to the shelf. These fasteners should cover most installations; if not, obtain suitable fasteners.
7. SECURELY TIGHTEN ALL FASTENERS.

NOTES

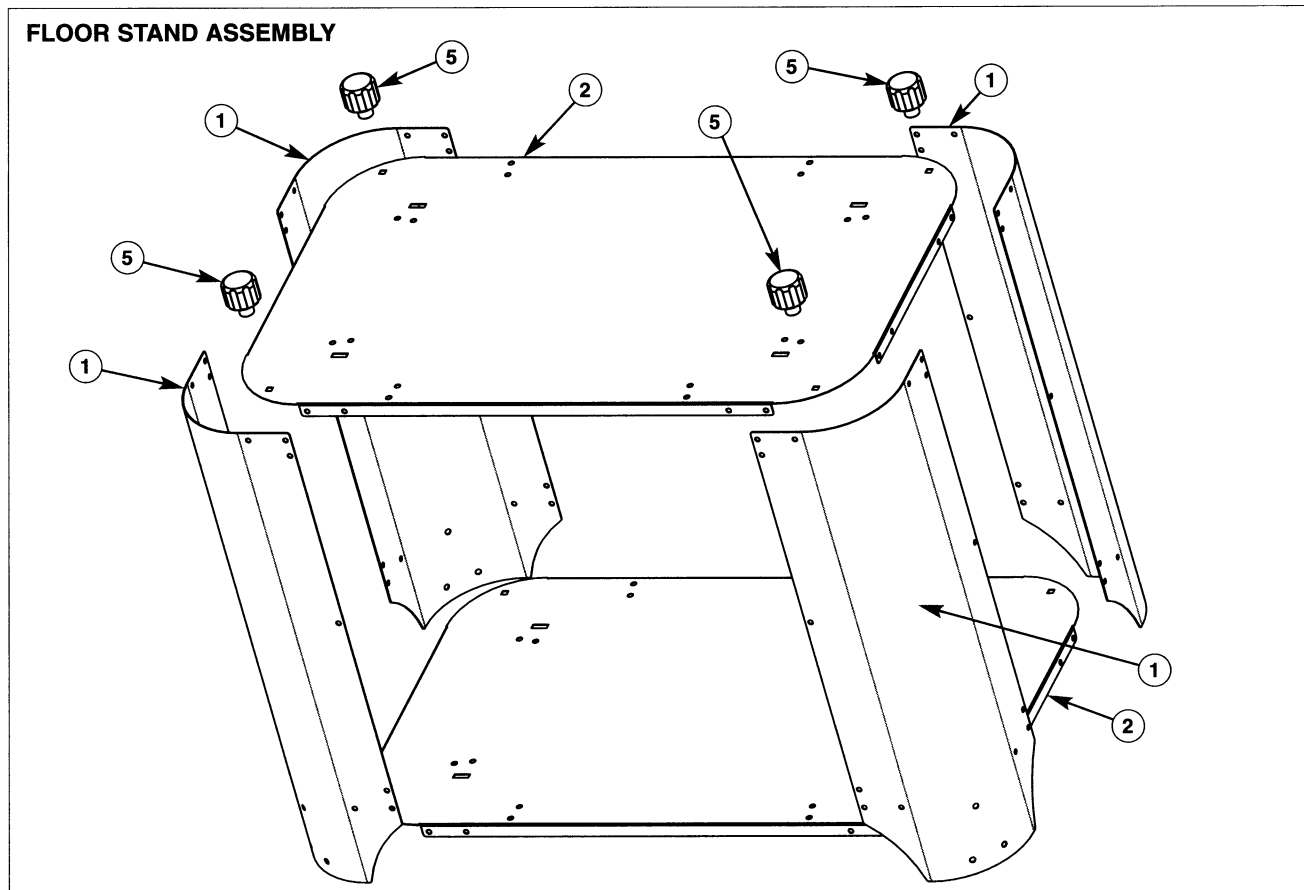
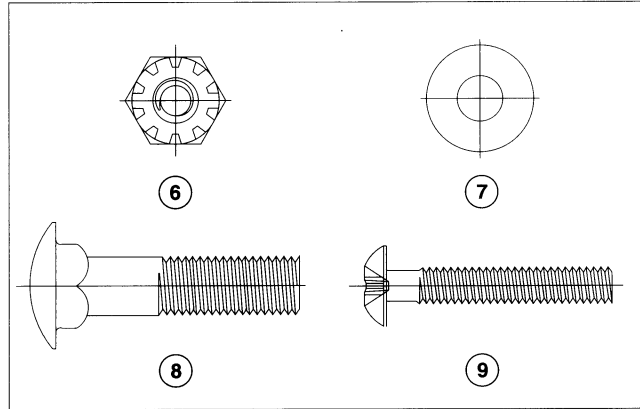
11

PARTS LIST

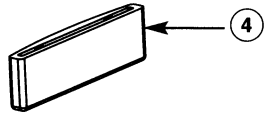
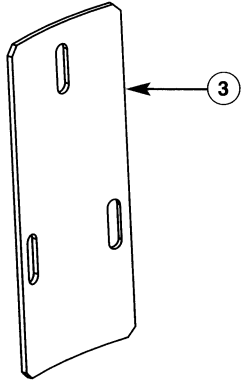
PARTS LIST FOR CRAFTSMAN FLOOR STAND

MODEL NO. 9-26478

KEY	PART NO.	DESCRIPTION	QTY
1	29LCN-1249-02	Floor Stand Leg – Color: Black	4
2	29LCN-1250-02	Floor Stand Shelf – Color: Black	2
3	29LCN-1118	Leveling Bracket	4
4	29LCN-1117	Leveling Foot – Color: Black	4
5	29LCN-1174-2	Clamping Knob – Color: Yellow	4
6	29A-1113	#10-32 KEPS Nut	52
7	29A-306-38	9/32" I.D. x 5/8" O.D. x1/16" Thick Washer	4
8	29A-310-07	1/4-20 x 1-3/4" Long Round Head Square Neck Bolt	4
9	29A-970-5	#10-32 x 1/2" Long Truss Head Machine Screw w/Phillips Recess	52
-	49LCN-82	Floor Stand Owner's Manual	1



LEVELING BRACKET ASSEMBLY



Printed in U.S.A.
01/01

49LCN-82

When corresponding, always give the following information as shown in the list:

1. The PART NUMBER
 2. The PART DESCRIPTION
 3. The MODEL NUMBER: 9-26478
 4. The ITEM NAME – FLOOR STAND
-