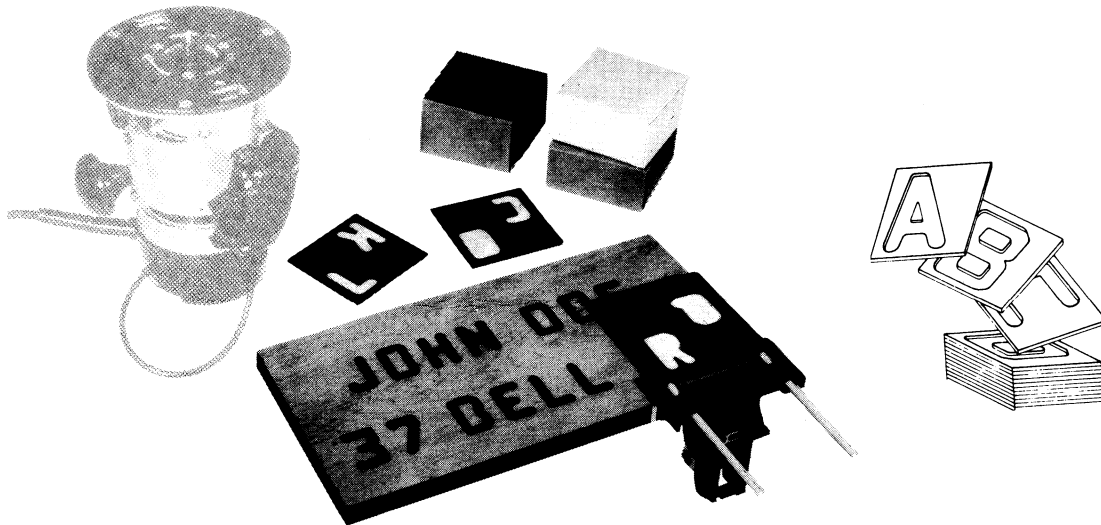


ROUTER TEMPLATE

with letters & numbers



CONTENTS

- LETTER FRAME
- CLAMP BRACKET
- COMPLETE SET OF 2½" LETTER AND NUMBER TEMPLATES
- COMPLETE SET OF 1½" LETTER AND NUMBER TEMPLATES

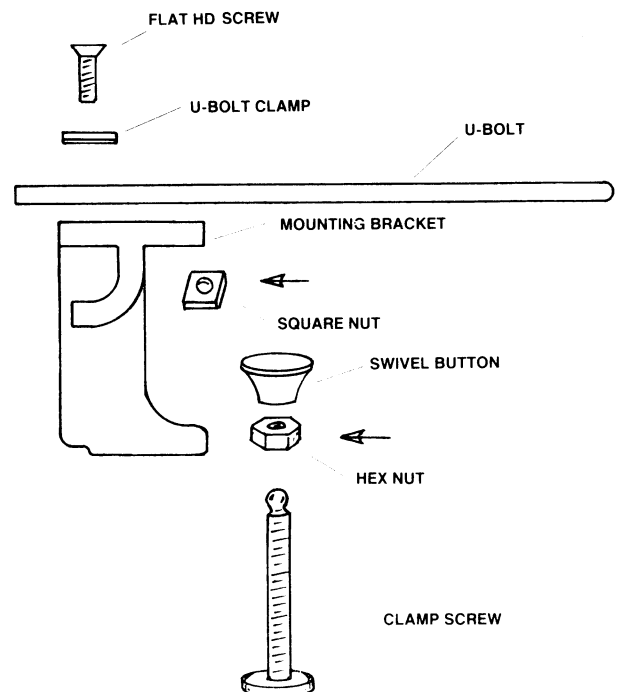
• Safety Rules

Always wear safety glasses or eye shields before commencing power tool operation.

Follow safety rules of your Router Manufacturer when using this accessory.

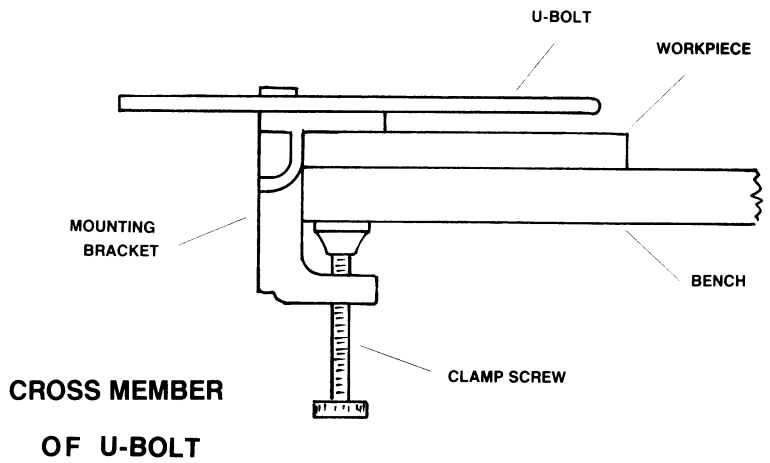
ASSEMBLY

1. Lay the U-BOLT CLAMP on the MOUNTING BRACKET as shown with the C'sink up, away from the mounting bracket. Use the #10-24 x 1/2 FLAT HEAD SCREW and the #10-24 SQUARE NUT to secure. The square nut fits under the bracket and the flat head screw nests in the C'sink. Slide the U-BOLT under the clamp and tighten the flat head screw.
2. Insert the 3/8-16 HEX NUT in the slot provided at the lower part of MOUNTING BRACKET. Thread the CLAMP SCREW thru the nut. Push the SWIVEL BUTTON on the ball end of the clamp screw.

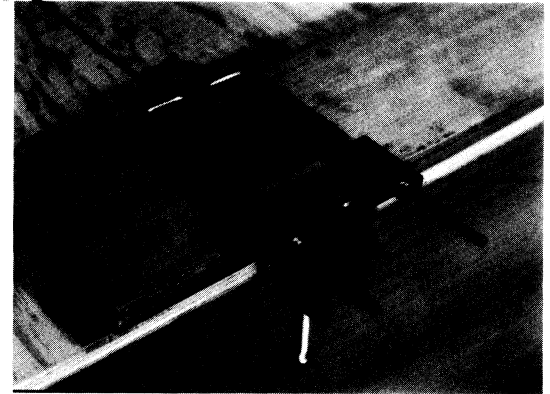


OPERATING INSTRUCTIONS

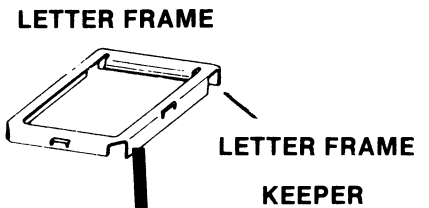
3. Lay the WORKPIECE on a BENCH and place MOUNTING BRACKET on workpiece with U-BOLT over and clamp screw under as shown. Clamp will hold workpiece to bench while routing when workpiece and bench are 1 3/4" thick or thinner. On thick work benches use a c-clamp to hold workpiece and clamp screw to hold mounting bracket to workpiece.



4. Lay PLASTIC LETTER TEMPLATE on top of U-BOLT leaving room between CROSS MEMBER of U-Bolt and end of template for LETTER FRAME KEEPER. Slip LETTER FRAME over template and U-Bolt, until LEGS are against workpiece. (Be sure letter frame keeper is engaged over cross member of U-Bolt and letter is up inside letter frame.)



5. Loosen STRAP SCREW, adjust FRAME U-BOLT to locate letters at desired location on workpiece and retighten.



6. Two router guide bushings are furnished.
 - When using large set of templates use 3/8" diameter cutter or smaller (we recommend 1/4, 5/16 or 3/8 diameter) with a 5/8" bushing.
 - When using small set of templates use 1/4" diameter cutter or smaller with the 7/16" diameter bushing.

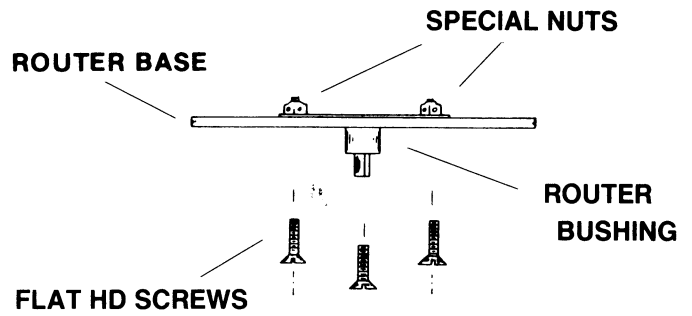


7. Press the (6) SPECIAL NUTS on the (6) projections of the two ROUTER BUSHINGS. (3 on each bushing.) These will be used later to secure the bushing to the router base.

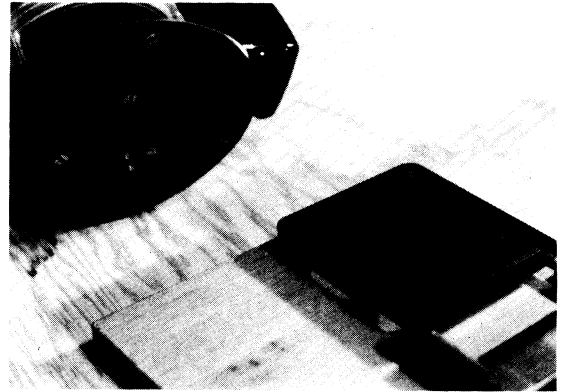
READ HELPFUL HINTS AT THIS TIME

- When using the small set of letters always locate the letter to be engraved in the lower left hand corner of the letter frame.
- Redwood is a good sign material. It is easy to rout and has a long life in the out of doors.
- Finish your sign quickly and easy. Paint the entire top surface of the engraved sign with fast drying black paint. (Aerosol can is handy.) Rasp or plane the top surface of sign leaving paint in routed letters.
- Vertical signs can be routed by turning letter 90° in the letter frame.
- Letters can be routed close to the edge of a sign by turning workboard around. Turn letter templates around and locate letters very near the far edge of a workboard.

8. Install router guide bushings to router base by placing the bushing on the motor side of the base, line up the three holes in the base to the three holes in the bushing. Be sure the guide bushing protrudes thru the base and secure with (3) #8-32 x 5/8 FLAT HEAD SLOTTED SCREWS provided.

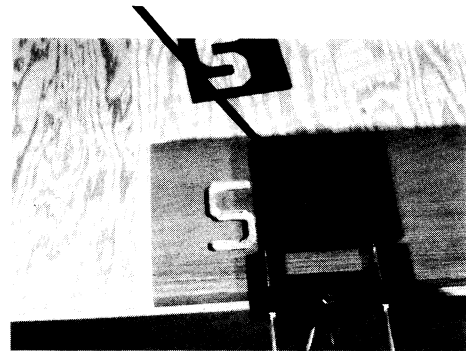


9. Install a cutter in router collet. Set cutter depth for a 1/8" cut. First letter should be routed in scrap lumber to check depth and get a feel for guiding router around letter.



10. Place router guide bushing into letter opening. Before starting the router, BUSHING MUST BE IN CONTACT WITH LETTER TEMPLATE AND CUTTER SLIGHTLY ABOVE WORKPIECE WHEN ROUTER IS STARTED.

LEFT SIDE



EASY DOES IT

11. Turn router on and lower cutter into wood until router base rests on letter frame. Follow opening with slight pressure to outside of letter until you have routed completely around the letter and finished where you started. Turn router off, wait for router to stop, lift router off letter frame.

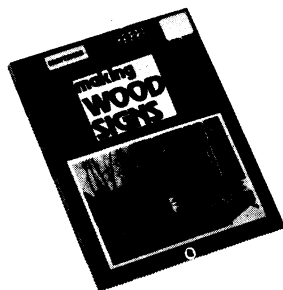
12. Loosen clamp screw. Slide mounting bracket to right until LEFT SIDE of letter frame lines up with edge of mortised letter just completed. (This gives you uniform spacing between each letter.) Remove template of letter just routed and place next template in place. Proceed to finish routing the sign.



ALSO AVAILABLE SIGN MAKING ACCESSORIES

92922

available thru Sears
Power and Hand Tool Catalogue



This book contains information helpful for sign making.

- type of wood to use
- how to design a sign
- tools to use
- how to sand blast a sign
- how to sharpen tools used
- 12 illustrated chapters

Catalogue Number 925176 WOOD SIGN LAYOUT KIT

KIT FOR LAYING OUT SIGN IN
BLOCK STYLE AND OLD ENGLISH

- FOR ENGRAVED OR CUT OUT LETTERS AND NUMBERS

- INCLUDES OVER 100 PAPER TEMPLATES, TRACING COVER AND CARBON PAPER
- SIZES ARE 6" - 8" AND 10" HIGH

Catalogue Number 925187 DELUXE ROUTER PANTOGRAPH



HAS 3-DIMENSIONAL CAPABILITY AS WELL AS FOR
SIGN MAKING AND ENGRAVING PICTURES

- USE WITH ANY ROUTER
- INCLUDES FIVE STYLES OF LETTERS AND NUMBERS
 OLD ENGLISH—MODERN WRITING—
 SCRIPT—ORIENTAL—COMPUTER
- ADJUSTS TO THREE SIZES OF ENGRAVING FROM
 A SINGLE SIZE OF TEMPLATE