

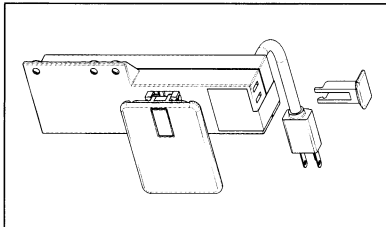
SEARS

**OWNERS
MANUAL**

Model No.
9-25188

CRAFTSMAN®

**PROFESSIONAL
ROUTER TABLE
SWITCH**







WARNING:

Before operating
product, read this
manual and follow
all its Safety
and Operating
Instructions.

Sears, Roebuck and Co., Hoffman Estates IL 60179 USA

9-25188 12/00 Printed in U.S.A.

SAFETY GUIDELINES – DEFINITIONS

<p>This manual contains information that is important for you to know and understand. This information relates to protecting YOUR SAFETY and PREVENTING EQUIPMENT PROBLEMS. To help you recognize this information, we use the symbols to the right. Please read the manual and pay attention to these sections.</p>	 URGENT SAFETY INFORMATION - A HAZARD THAT WILL CAUSE SERIOUS INJURY OR LOSS OF LIFE	 INFORMATION FOR PREVENTING DAMAGE TO EQUIPMENT
	 IMPORTANT SAFETY INFORMATION - A HAZARD THAT MIGHT CAUSE SERIOUS INJURY OR LOSS OF LIFE	 INFORMATION THAT YOU SHOULD PAY SPECIAL ATTENTION TO

GENERAL SAFETY INSTRUCTIONS FOR POWER TOOLS

WARNING Failure to heed all safety and operating instructions and warnings regarding use of this product can result in serious bodily injury.

1. Know your power tool

Read the owner's manual carefully. Learn its application and limitations as well as the specific potential hazards peculiar to this tool.

2. Ground all tools (unless double insulated)

If tool is equipped with an approved three-conductor cord and a three-prong grounding type plug, it should be plugged into a three hole electrical receptacle. If adapter is used to accommodate a two-hole receptacle, the adapter wire must be attached to a known ground (usually the screw securing receptacle cover plate). Never remove third prong. Never connect green ground wire to a terminal.

3. Keep guards in place

Maintain in working order, and in proper adjustment and alignment.

4. Remove adjusting keys and wrenches

Form a habit of checking to see that keys and adjusting wrenches are removed from tool before turning it ON.

5. Keep work area clean

Cluttered areas and benches invite accidents. Floor must not be slippery due to wax or sawdust.

6. Avoid dangerous environment

Do not use power tools in damp or wet locations or expose them to rain. Keep work area well lighted. Provide adequate surrounding work space.

7. Keep children away

All visitors should be kept a **safe** distance from work area.

8. Make workshop child-proof

Use padlocks, master switches, or remove starter keys.

9. Do not force tools

They will do the job better and safer at the rate for which they were designed.

10. Use the right tool

Do not force tool or attachment to do a job it was not designed to perform.

11. Wear correct apparel

Do not wear loose clothing, gloves, neckties or jewelry (rings, wristwatches) that may get caught in moving parts. Non-slip footwear is recommended. Wear protective hair covering to contain long hair. Roll long sleeves above the elbow.

12. Use safety goggles (Head Protection)

Wear safety goggles (must comply with ANSI Standard Z87.1) at all times. Also, use face or dust mask, if cutting operation is dusty, and ear protectors (plugs or muffs) during extended periods of operation.

13. Secure work

Use clamps or a vise to hold work when practical. It's safer than using your hands, and it frees both hands to operate tool.

14. Do not over reach

Keep proper footing and balance at all times.

15. Maintain tools with care

Keep tools sharp and clean for best and safest performance. Follow instructions for lubricating and changing accessories.

16. Disconnect tools before servicing

Before servicing, when changing accessories

such as blades, bits, cutters, etc.

17. Avoid accidental starting

Make sure switch is in OFF position before plugging in.

18. Use recommended accessories

Consult the owner's manual for recommended accessories and follow the instructions. The use of improper accessories may cause hazards.

19. Never stand on tool

Serious injury could occur if the tool is tipped or if the cutting tool is accidentally contacted. DO NOT store materials above or near the tool making it necessary to stand on the tool to reach them.

20. Check damaged parts

Before further use of the tool, any guard or other part that is damaged should be carefully checked to ensure that it will operate properly and perform its intended function. Check for alignment of moving parts, binding of moving parts, breakage of parts, mounting, and any other conditions that may affect its operation. A guard or any other part that is damaged should be properly repaired or replaced.

21. Direction of feed

Feed work into a blade or cutter **AGAINST** the direction of rotation of the blade or cutter only.

22. Never leave tool running unattended

Turn power **OFF**. DO NOT leave tool until it comes to a complete stop.

23. Keep hands away from cutting area

When not in use, tools should be stored in dry, high or locked-up place—out of reach of children.

24. Store idle tools

Keep cord away from heat, oil and sharp edges.

26. Outdoor extension cords

When tool is used outdoors, use only extension cords suitable for use outdoors and so marked.

27. Never use in an explosive atmosphere

Normal sparking of the motor could ignite fumes, flammable liquids, or combustible items.

28. Drugs, alcohol, medication

DO NOT operate tool while under the influence of drugs, alcohol, or any medication.

Read and Understand this instruction book completely BEFORE using this product.

ADDITIONAL SAFETY INSTRUCTIONS FOR ROUTER TABLES

1. Always wear eye protection that complies with ANSI Standard Z87.1.

2. Noise levels vary widely with location. To avoid possible hearing damage, wear ear plugs or ear muffs when using your router table for long periods of time.

3. For dusty operations, wear a dust mask along with safety goggles.

4. Follow the instructions in your router owner's manual.

5. **WARNING** Vibrations, caused by the router during use, can cause fasteners to become loose. Before use and periodically during use, check all fasteners to make sure that all are tight and secure.

6. Do not use this product until all assembly and installation steps have been completed. Make sure you have read and understood all safety and operational instructions in this manual and the router owner's manual.

7. Make sure that the router bit is properly positioned and clamped in the router before making any cuts.

8. Do not use the router table as a workbench or work surface. Doing so may damage it, causing it

to be unsafe to use. A workbench should be used for this purpose.

9. This product is designed for cutting flat workpieces. Do not cut or attempt to cut workpieces that are not flat.

10. This product is designed for cutting wood workpieces only. Do not use to cut metal or other non-wood materials.

11. The use of auxiliary in-feed and out-feed supports is strongly recommended when routing long workpieces. Otherwise those workpieces can cause the router table to tip over.

12. Keep hands clear of the router bits and working area.

13. Make and use a push stick to move small workpieces across the cutting area.

14. Clean the router after use. The use of a wet/dry vac or vacuum equipment is recommended.

15. Always make sure that work surface of the router table is clean and free from dust, chips, and foreign particles that can interfere with the cut you are going to make. The use of a wet/dry vac or vacuum equipment is recommended.

16. Check the function of the guard before each use. Remove all dust, chips, and any other

foreign particles that can affect its function.

17. **WARNING** Never put your fingers under the overhead guard when the router is plugged into an electrical outlet or when the router bit is rotating.

18. Always use the fence to guide the workpiece.

19. Always feed the workpiece **AGAINST** the rotation of the cutter or router bit.

20. Router bits are extremely sharp; be extra careful when handling and using them.

21. Make sure that the router bits being used are sharp or have been properly resharpened. This will permit fast, efficient, and **SAFE** routing.

22. Some routers, when positioned in an upside down position (such as on a router table), will drop or fall out of the router base when the base clamp is loosened to adjust height or depth of cut. Therefore, it is extremely important to support the router from below when making these adjustments or whenever the base clamp is loosened.

23. Always look under the router table at the router switch box when turning the router **ON** or **OFF**. **DO NOT** touch anything but the switch box when doing this. **NEVER** reach under the router table for any reason when the router is running, except to turn it **OFF**.

24. **WARNING** Before making any cut, make sure the router is turned **OFF**, the router bit is not rotating, and the power cord is unplugged from the electrical outlet. Then, make absolutely sure that the overhead guard clears the router bit and the workpiece. A trial pass, with the router turned **OFF** and the router bit not turning, is strongly recommended.

25. **WARNING** Never leave the router table unattended while the router is running. Turn the router **OFF** before leaving the router table for any reason.

26. If **ANY** of the parts is missing, **DO NOT** attempt to assemble, install, or use your router table until the missing parts have been found or replaced and your router table has been properly and correctly assembled per the Owner's Manual.

27. **WARNING** Never use the floor stand (leg set) as a ladder and **DO NOT** stand on the router table.

INTRODUCTION

The Router Table Switch:

- Switch mounts to the front of all Craftsman router tables
- Front switch operates two receptacles on the back of the switch

- Large switch paddle (cover) for ease in turning the switch **OFF**
- Removable key prevents unauthorized use when removed from the switch
- Has built-in circuit breaker

UNPACKING AND CHECKING CONTENTS

Refer to Parts List.

WARNING If **ANY** of the parts is missing, **DO NOT** attempt to assemble, install, or use your router table until the missing parts have been found or replaced, and your router table has been properly and correctly assembled per this manual.

- For missing parts, call Sears Service, at 1-800-366-7278.

- In order to simplify handling and to minimize any damage that may occur during shipping, your router table comes unassembled.
- Separate all parts from the packaging materials and check each part against the illustrations and the parts list at the end of this manual, to make sure that all parts have been included. Do this before discarding any of the packaging material.

ELECTRICAL REQUIREMENTS

A 14 gauge, or heavier gauge, three-wire extension cord having a three-hole grounding receptacle and three-prong grounding plug is to be used for connecting the switch to an electrical outlet.

A double insulated 14 gauge, or heavier gauge, two-wire extension cord having a two-hole receptacle and two prong grounding plug may also be used for connecting the switch to an electrical outlet.

DAMAGED OR WORN EXTENSION CORDS ARE NOT TO BE USED AND ARE TO BE REPLACED IMMEDIATELY.

The electrical cord at the back of the switch will accept either three-hole or two-hole double insulated extension cords.

The electrical outlets at the back of the switch will accept either three-prong or two-prong plug from a router or accessory.

In the event of a malfunction or breakdown, grounding provides the path of least resistance for electrical current in order to reduce the risk of electrical shock. The switch is equipped with a electrical cord that has a three-prong grounding plug. This plug must be plugged into a properly rated extension cord.

The extension cord must be plugged into a matching electrical receptacle **that has been installed by a licensed electrician and grounded in accordance with all local codes and ordinances.**

DO NOT modify plug on the cord from the switch if it does not plug into the extension cord. Obtain an extension cord with the proper outlet.

Improper connection of the equipment-grounding conductor can result in the risk of an electrical shock. The connector with insulation that has a green outer surface, with or without yellow stripes, is the equipment-grounding conductor.

DO NOT CONNECT THE EQUIPMENT GROUNDING TO THE LIVE TERMINAL.

Check with a licensed electrician if the grounding if the grounding instructions are not clearly understood, or if there is a doubt as to whether or not the electrical outlet or extension cord is properly grounded.

WARNING **DO NOT PERMIT YOUR FINGERS TO TOUCH THE TERMINALS OF THE PLUG WHEN PLUGGING IT INTO OR REMOVING IT FROM AN ELECTRICAL OUTLET.**

WARNING **IF NOT PROPERLY GROUNDED, A POWER TOOL CAN PRESENT POTENTIAL HAZARDS OF ELECTRICAL SHOCK, WHICH CAN POSSIBLY RESULT IN SERIOUS BODILY INJURY OR DEATH, particularly in a damp environment, in proximity to plumbing, or out of doors. If an electrical shock occurs, there is always the potential of a secondary hazard, such as your hands contacting the router bit or falling down or against an object.**

WARNING **USE THE SWITCH ONLY WHEN IT IS PROPERLY INSTALLED ON YOUR ROUTER TABLE. USE ONLY WITH A ROUTER THAT HAS BEEN PROPERLY INSTALLED ON A PROPERLY ASSEMBLED AND MOUNTED ROUTER TABLE.**

ASSEMBLY AND INSTALLATION

ASSEMBLING THE SWITCH TO THE ROUTER TABLE

Figure 1 through Figure 6 illustrate the assembly of the switch to different type of Router Tables. Using the figure that mostly closely represents your Router Table as a guide, proceed with the following instructions. The detail of the underneath side of the router table is not necessarily representative of all router tables models.

FIGURE 1

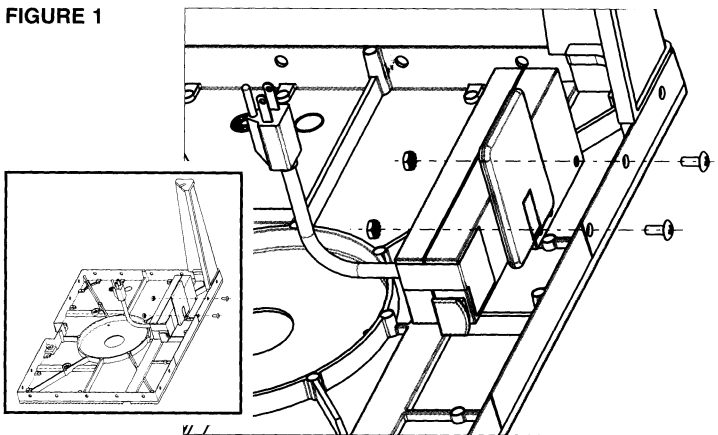


FIGURE 2

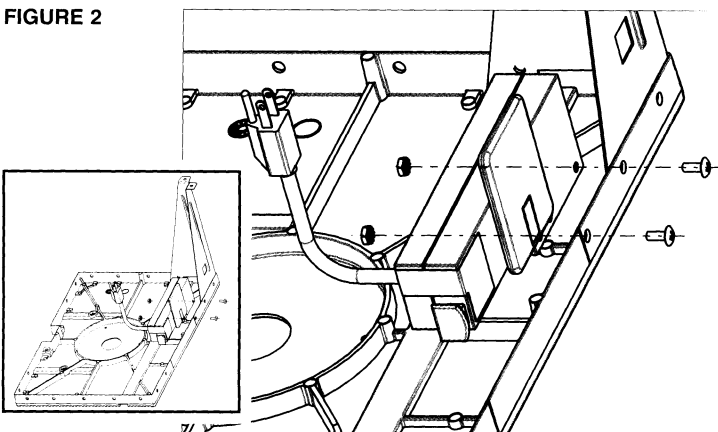


FIGURE 3

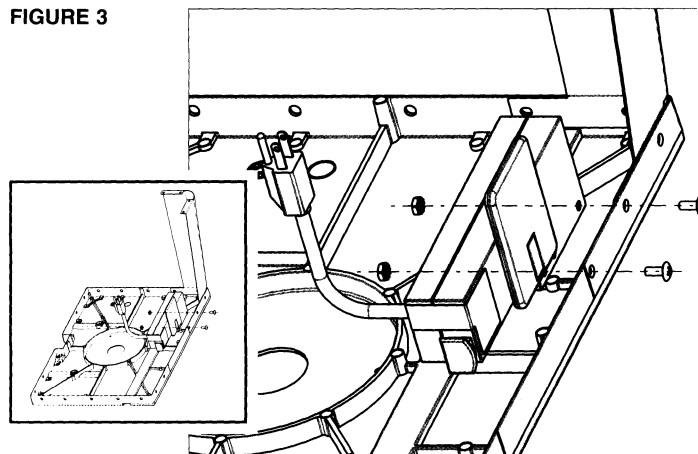
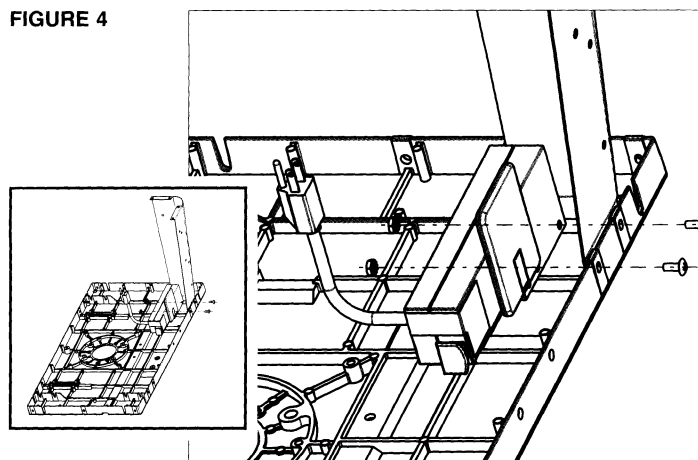


FIGURE 4



NOTE

- If your router table has been previously assembled, proceed with steps through 5 on the next panel.
- If you are assembling the router table for the first time, continue with the assembly of the router table, beginning with the section that deals with the assembly of the legs to the router table.

FIGURE 5

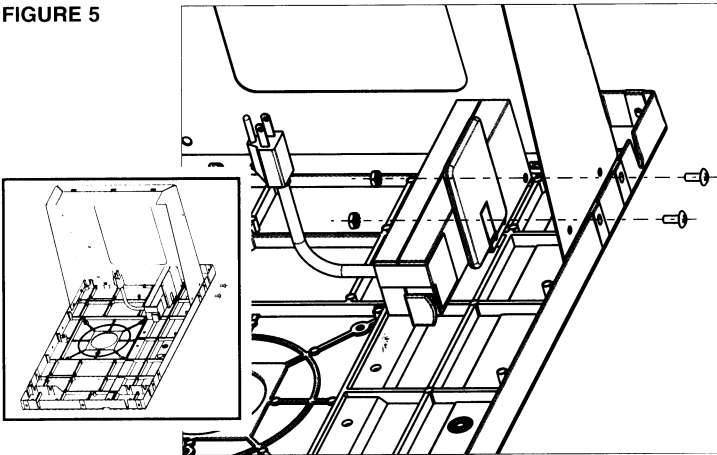
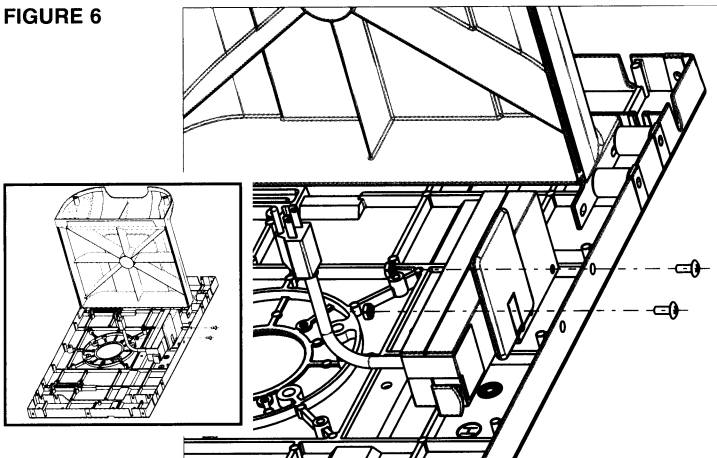


FIGURE 6



1. DISCONNECT THE ROUTER POWER CORD FROM THE ELECTRICAL OUTLET OR EXTENSION CORD, IF ONE IS BEING USED.
2. Remove any router bit that is now in the router.
3. Lower the router so that the collet assembly is below the top surface of the router table.

4. Remove all accessories, such as guards, miter gauges, and fences, from the router table.
5. Place the router table, top side down on a flat surface.
6. If necessary, remove the screws and nuts, (and washers if applicable) holding the left leg to the front of the router table. It is not essential to completely remove the leg from the table.
7. Discard the removed fasteners.
8. Position the switch on the underneath side of the router table, as shown in the applicable Figure. The switch is positioned on the inside of the leg or of the router table.
9. Use the two screws and two nuts provided, secure the switch to the router table, as shown in the Figures.
10. SECURELY TIGHTEN ALL SCREWS AND NUTS.
11. Reinstall or remount the router table to the workbench or stable work surface.

CONNECTING THE ROUTER POWER CORD TO THE SWITCH

⚠ WARNING

- MAKE SURE THAT THE SWITCH POWER CORD IS NOT PLUGGED INTO ANY ELECTRICAL OUTLET AT THIS TIME. IF IT IS, UNPLUG IT.
- ALSO MAKE SURE THAT THE ROUTER SWITCH IS IN THE "OFF" POSITION.

1. Plug the router power plug into one of the electrical outlets on the back of the switch case.
2. Form the excess power cord into a coil.
3. Wrap two pieces of friction tape or strong cord around the coiled cord at opposite sides of the coil.
4. Allow some slack, so that the cord does not become stretched when it is plugged into the switch case outlets.
5. If desired, at this time plug the power cord from an accessory, such as a wet/dry vac or light, into the other outlet.

OPERATION

GENERAL

The power switch is designed for use with most Craftsman router tables. It provides the convenience of an "ON" (RESET)–"OFF" switch at the front of the router table, eliminating the necessity of having to reach under the router table to turn router "OFF" and "ON".

The power switch provides optional simultaneous "ON-OFF" control of an accessory, such as a light, wet/dry vac, etc. The switch has an internal resettable circuit breaker to provide overload protection.

SWITCH OPERATION

This section explains the features and operation of the switch prior to plugging the power cord into an extension cord. The intent is to familiarize the user with the switch operation without actually turning the router "ON".

IMPORTANT

Remove the packaging material from under the switch cover, or else the switch will be inoperable, and can be damaged if you attempt to use the switch with this material still in place.

The switch incorporates two positive features to prevent the inadvertent switching ON of the router and the unauthorized, and possibly hazardous, use by others:

- A large cover, or paddle, covering the actual switch, prevents the inadvertent switching ON of the router.
- The clear opening in the large cover allows you to see a small red light on the switch toggle when the switch is turned ON.
 - √ The light is **ON** when the switch is **ON**.
 - √ The light is **OFF** when the switch is **OFF**.
- A safety key that **must be completely inserted** into the side of the switch case in order that the switch can be turned ON.

Refer to **Figure 7**, which shows the cover (or paddle), the safety key, and the Toggle Switch (which is in the "OFF" position).

FIGURE 7

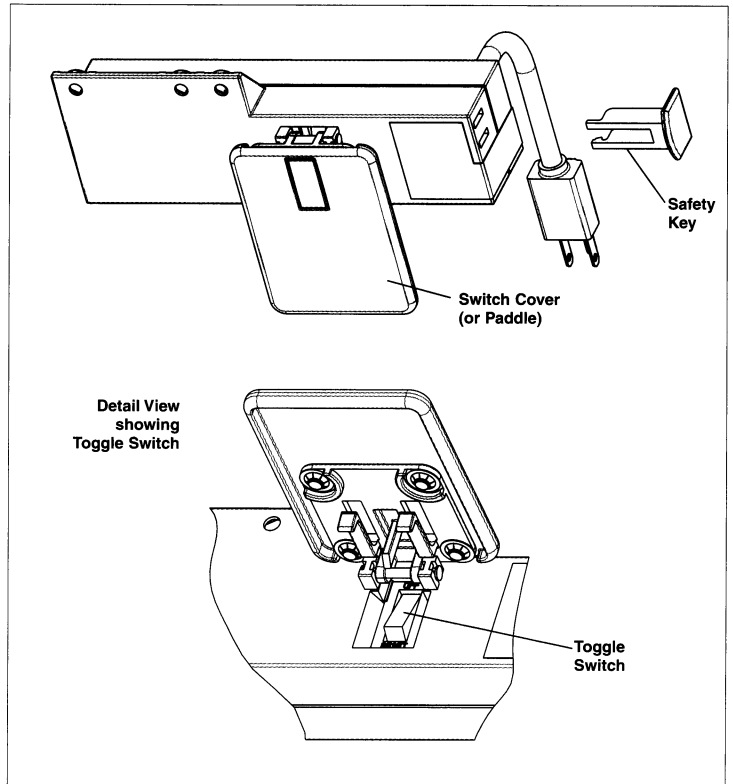


Figure 8 is a view of the toggle switch with the switch cover raised and the toggle in the "ON" (RESET) position. The safety key has been inserted into the side of the case.

Note the position of the red slide panel; this is its normal position when operating the switch in the "ON (RESET) position.

Figure 9 is a view of the toggle switch with the switch cover raised and the toggle in the "OFF" position. The safety key has been inserted into the side of the case.

Note the position of the red slide panel; this is its normal position when operating the switch in the "OFF" position.

FIGURE 8

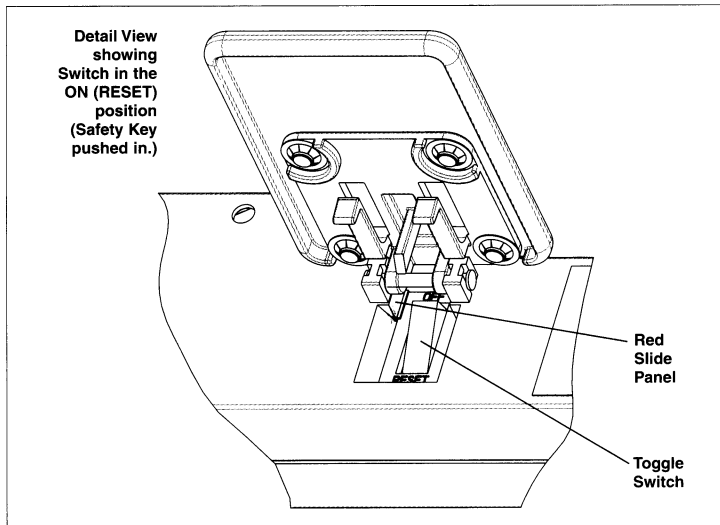


FIGURE 9

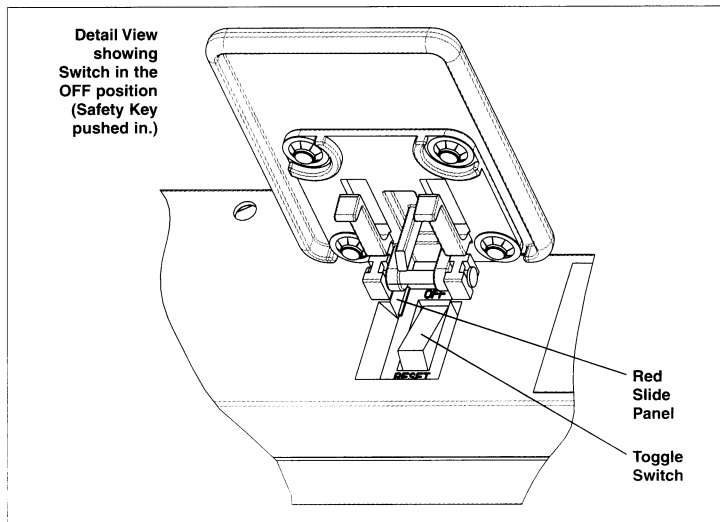


FIGURE 10

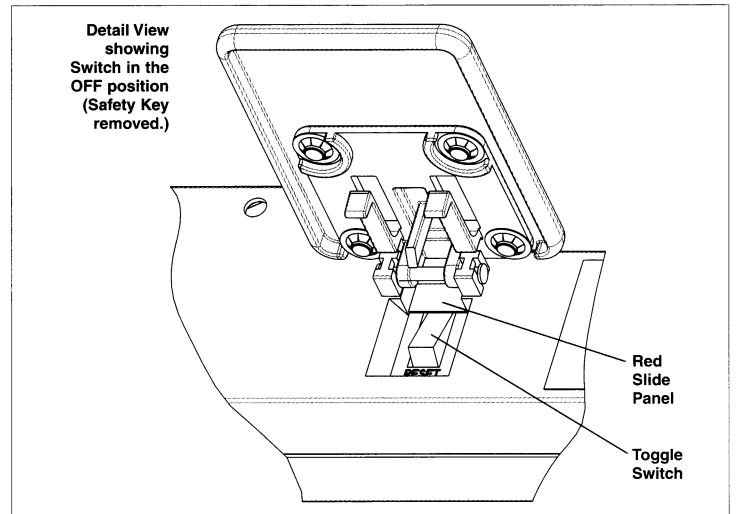


Figure 10 is a view of the toggle switch with the switch cover raised and the toggle in the "OFF" position. The safety key has been removed from the side of the case.

Note the position of the red slide panel; this is its normal position when operating the switch in the "OFF" position and the safety key removed. With the slide panel in this position the toggle switch cannot be toggled to the "ON" (RESET) position.

To operate the switch, proceed as follows: MAKE SURE THAT THE EXTENSION CORD IS NOT PLUGGED INTO AN ELECTRICAL OUTLET BEFORE PROCEEDING ANY FURTHER.

1. Insert the safety key into side of the switch case as shown in Figure 7.
2. To turn the router "ON", lift the cover, insert a finger under the cover, and toggle the switch to the "ON" (RESET) position. Refer to Figure 8.
3. Gently lower the cover to the case. In certain instances allowing the cover to drop to case, may cause the switch to be inadvertently TURNED "OFF", because the emergency TURN-Off feature engages the toggle switch.
4. To turn the router "OFF", push on red cover to toggle the switch to the "OFF" position. Refer to Figure 9, at left.

CONTINUED ON BACK PANELS

CONTINUED FROM INSIDE PANEL

CAUTION NEVER LEAVE THE ROUTER UNATTENDED WHEN IT IS RUNNING OR BEFORE IT COMES TO A COMPLETE STOP.

5. To lock the switch in the "OFF" position, push on red cover to toggle the switch to the "OFF" position, **and completely remove the safety key from the side of the case.** Refer to **Figure 10**, panel 12.

6. Make sure the red slide panel covers the top half of the toggle switch after removing the safety key, as shown in **Figure 10**.

- If it does not, press down on the switch toggle under the word "OFF". If the slide panel still does not cover the top half of the toggle after doing this, unplug all electrical connections.
- Remove switch from the router table and obtain a replacement switch from your local sears outlet.
- Router table can still be used by turning the router "ON" and "OFF" using the switch on the router.

With the safety key removed and the red slide panel covering the top half of the switch toggle, the switch cannot be toggled to the "ON" position.

WARNING BEFORE PROCEEDING ANY FURTHER, MAKE SURE THAT THE SWITCH ON THE ROUTER IS IN THE "OFF" POSITION AND THAT THE TOGGLE SWITCH IS ALSO IN THE "OFF" POSITION.

The extension cord can now be plugged into the electrical outlet.

MAKE SURE THAT THE POWER CORDS FROM THE ROUTER, ACCESSORIES, SWITCH, AND THE EXTENSION CORD DO NOT COME IN CONTACT WITH, AND CANNOT COME IN CONTACT WITH, THE ROUTER OR ANY MOVING PARTS OF THE ROUTER.

ROUTER AND SWITCH OPERATION

This section explains the operation of the switch with power cord plugged into an extension cord. **The router will turn "ON" when the toggle switch is toggled to the "ON" (RESET) position.**

1. Position the ON-OFF switch on the router to the "ON" position. On certain routers this will require the use of the switch trigger and the "LOCK-ON" button.

Make sure that the on the switch case is in the "OFF" position when doing this.

2. To turn the router "ON", lift the cover, insert a finger under the cover, and toggle the switch to the "ON" (RESET) position. Refer to **Figure 8**.

3. To turn the router "OFF", push on red cover to toggle the switch to the "OFF" position. Refer to **Figure 9**.

CAUTION NEVER LEAVE THE ROUTER UNATTENDED WHEN IT IS RUNNING OR BEFORE IT COMES TO A COMPLETE STOP.

NOTE In the event of an overload situation, the internal switch circuit breaker will trip the toggle switch to the "OFF" position. This will interrupt the power to the router and whatever accessory that may be plugged into the switch itself.

If this should happen, proceed as follows:

1. Unplug the switch power cord from the extension cord.
2. Remove work piece from the router table.
3. Correct the cause of the overload – removing of too much stock or using to high a feed rate.
4. Plug the power cord into the extension cord.
5. Restart the router as described above in the Section **ROUTER AND SWITCH OPERATION**.

SPECIAL NOTE TO OWNERS OF ROUTER MODEL NOS. 1750 & 27501

Because these routers and some similar routers come with a special "LOCK-ON" feature that will not permit it to be turned "ON" by the switch mounted to the router table, but can be turned "OFF" by the switch.

To operate routers with this feature, proceed as follows:

1. Position the toggle switch to the "ON" (RESET) position as described in ROUTER AND SWITCH OPERATION. The router should NOT start even though the trigger lock on the router is in the "LOCK-ON" position. (Consult your Router Owner's Manual.)
2. To start the router, depress the trigger and engage the "LOCK-ON" button on the side of the handle.

THE ROUTER SHOULD START IMMEDIATELY.

- a. If the router switch is already in the "LOCK-ON" position (The "soft" and "1/4 inch" indicator lights will be flashing – Consult your Router Owner's Manual), unlock the trigger.
 - b. Then depress the trigger, **THE ROUTER SHOULD START IMMEDIATELY.**
 - c. Then engage the "LOCK-ON" button on the side of the handle.
3. To turn the router "OFF", push on red cover to toggle the switch to the "OFF" position, or press on the switch cover.
 4. To restart the router, repeat steps 1 and 2.

WHEN THE ROUTER TABLE IS NOT IN USE

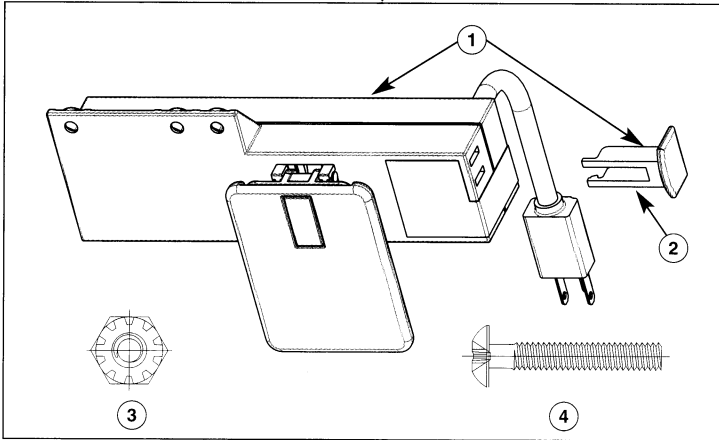
1. Toggle the switch to the "OFF" position.
2. Remove the safety key.

3. Store the safety key in safe and secure location where it is not available to children and other unauthorized persons.
4. Unplug the switch power cord from the extension cord.
5. Remove the router bit from the router.
6. Position the router collet assembly below the top of the router table.

NOTE If the key should become lost or misplaced, replacement keys are available from your local Sears Retail Outlet.

PARTS LIST

PARTS LIST FOR CRAFTSMAN PROFESSIONAL ROUTER TABLE SWITCH MODEL NO. 9-25188



KEY	PART NO.	DESCRIPTION	QTY
1	29LCN-1244	Power Bar Switch Assembly	1
2	29LCN-1018	Switch	1
3	29A-1113	#10-32 Hex "KEPS" Nut	2
4	29A-970-5	#10-32 x 1/2" Long Truss Head Machine Screw w/Phillips Recess	2
-	49LCN-81	Professional Router Table Switch Owner's Manual	1

When corresponding, always give the following information as shown in the list:

1. The PART NUMBER
2. The PART DESCRIPTION
3. The MODEL NUMBER: 9-25188
4. The ITEM NAME - PROFESSIONAL ROUTER TABLE SWITCH

Printed in U.S.A.
12/00

49LCN-81