

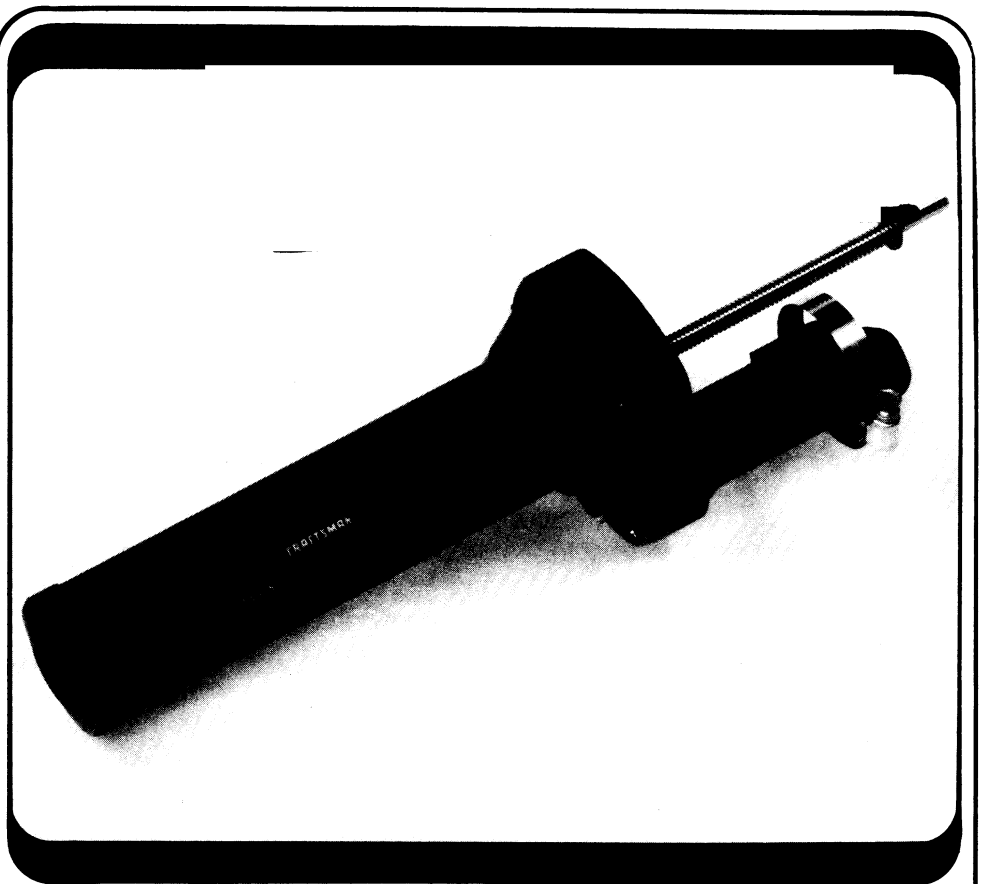
Save This Manual
For Future Reference

SEARS

**owners
manual**

**MODEL NO.
171.25600**

CAUTION:
READ ALL
INSTRUCTIONS
CAREFULLY



CRAFTSMAN
Power Caulker

- assembly
- operating

Sold by SEARS, ROEBUCK AND CO., Chicago, IL. 60684 U.S.A.

Printed in U.S.A.

IMPORTANT SAFETY RULES FOR BATTERY TOOLS

1. Battery tools do not have to be plugged into an electrical outlet, therefore they are always in operating condition. Be aware of possible hazards when not using your battery tool or when changing accessories.
2. ~~USE ONLY THE CHARGER PROVIDED WITH YOUR BATTERY TOOL.~~ Do not substitute any other charger. Use of another charger could cause batteries to explode causing possible serious injury.
3. ~~DO NOT PLACE BATTERY TOOLS OR THEIR BATTERIES NEAR FIRE OR HEAT.~~ They may explode.
4. **DO NOT CHARGE BATTERY TOOL IN A DAMP OR WET LOCATION.**
5. Your battery tool should be charged in a location where the temperature is more than 50°F but less than 100°F.
6. Under extreme usage or temperature conditions, battery leakage may occur. If liquid comes in contact with your skin, wash immediately with soap and water, then neutralize with lemon juice or vinegar. If liquid gets in your eyes, flush them with clean water for at least 10 minutes, then seek immediate medical attention.
7. If carrying your battery tool at your side, make sure it is not running and your finger is not on the switch. Avoid accidental starting.
8. **SECURE WORK** before applying power. **NEVER** hold workpiece in your hand or across your legs.
9. **SAVE THESE INSTRUCTIONS.** Refer to them frequently and use them to instruct third party user. If you loan someone this tool, loan them these instructions also.

IMPORTANT SAFETY INSTRUCTIONS FOR CHARGER

1. **SAVE THESE INSTRUCTIONS.** This manual contains important safety and operating instructions for battery charger MODEL 999555-1.
2. Before using battery charger, read all instructions and cautionary markings in this manual, on battery charger, and product using battery charger.
3. **⚠ CAUTION** To reduce risk of injury, charge only nickel-cadmium type rechargeable batteries. Other types of batteries may burst causing personal injury and damage.
4. Do not expose charger to rain or snow.
5. Use of an attachment not recommended or sold by the battery charger manufacturer may result in a risk of fire, electric shock, or injury to persons.
6. To reduce risk of damage to charger body and cord, pull by charger body rather than cord when disconnecting charger.
7. Make sure cord is located so that it will not be stepped on, tripped over, or otherwise subjected to damage or stress.
8. An extension cord should not be used unless absolutely necessary. Use of improper extension cord could result in a risk of fire and electric shock. If extension cord must be used, make sure:
 - a. That pins on plug of extension cord are the same number, size and shape as those of plug on charger.
 - b. That extension cord is properly wired and in good electrical condition; and
 - c. That wire size is large enough for AC ampere rating of charger as specified below:

	AWG Size of Cord/Length of Cord, Feet			
Feet	25	50	100	150
AWG	18	18	18	16

9. **DO NOT OPERATE CHARGER WITH A DAMAGED CORD OR PLUG.** If damaged, have replaced immediately by a qualified serviceman.
10. Do not operate charger if it has received a sharp blow, been dropped, or otherwise damaged in any way; take it to a qualified serviceman.
11. Do not disassemble charger; take it to a qualified serviceman when service or repair is required. Incorrect reassembly may result in a risk of electric shock or fire.
12. To reduce risk of electric shock, unplug charger from outlet before attempting any maintenance or cleaning. Turning off controls will not reduce this risk.
13. Do not use charger outdoors.
14. Disconnect charger from power supply when not in use.

IMPORTANT SAFETY RULES FOR The **CRAFTSMAN** *Power Caulker*

⚠ WARNING

- Read and understand all warnings and instructions for both the *Power Caulker* and for the cordless screwdriver you intend to use with this product.
- **USE ONLY** with In-Line and Pistol-Grip Cordless Screwdrivers with housings not exceeding 2 in. in dia. and with 1/4" hex collet. **DO NOT** exceed 180 RPM (no load speed)
- **ALWAYS** use eye protection which complies with the current ANSI Z87.1 Safety Standard.
- **ALWAYS** use a fully charged screwdriver to operate the *Power Caulker*.
- **NEVER** use *Power Caulker* with a power drill of any kind.
- **USE ONLY** standard 2" dia. x 8-1/2" long cartridges (tubes) with *Power Caulker*. **DO NOT** use bulk caulking compounds.
- **DO NOT** store the *Power Caulker* with cartridges where the temperature can reach 122°F. (such as an outside metal storage shed in summer)
- **NEVER** place fingers between pusher cup and gear-housing when retracting the pusher rod. (See Fig. 1)

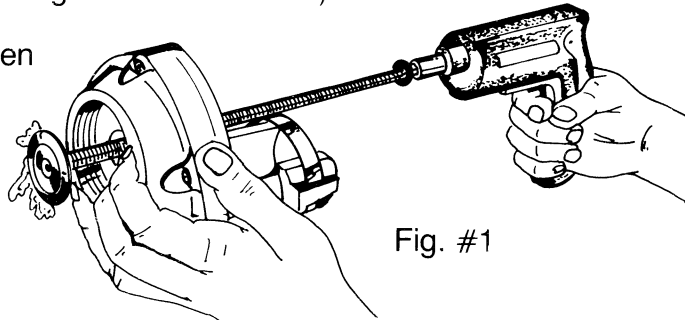
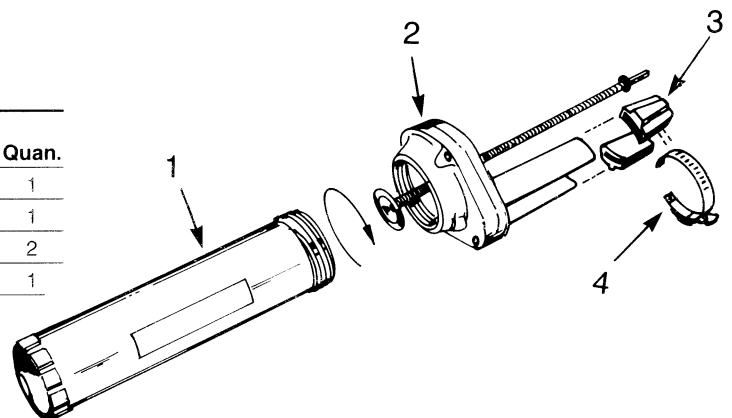


Fig. #1

- **ALWAYS** secure *Power Caulker* firmly to cordless screwdriver with the hold-down band before using *Power Caulker*.
- **ALWAYS** wipe excess compound from pusher rod and cup with damp cloth after each use. Material forced into gear-housing could cause malfunction.
- **NEVER** use cleaning agents such as paint thinner, benzene, or other volatile material.
- **DO NOT** operate unit after advance limit washer contacts gear-housing. This action could damage the unit.

Parts List

Key No.	Part No.	Description	Quan.
1	29L-718	Barrel	1
2	29L-740	Gear-Housing Sub-Assembly	1
3	29L-714	Boot	2
4	29LD-151-3	Hold-Down Band	1



Unpacking and Assembly

Separate all parts from packaging material and check each against parts list. (See Page 3)

Screw the barrel into the gear-housing and lock in place.

Unscrew hold-down band completely and thread through the slots in the boots at the ends of the two (2) holding guides of the gear-housing. Reassemble and tighten the hold-down band. Make sure the thumb screw is on the side away from the pusher rod. (See Fig. 2)

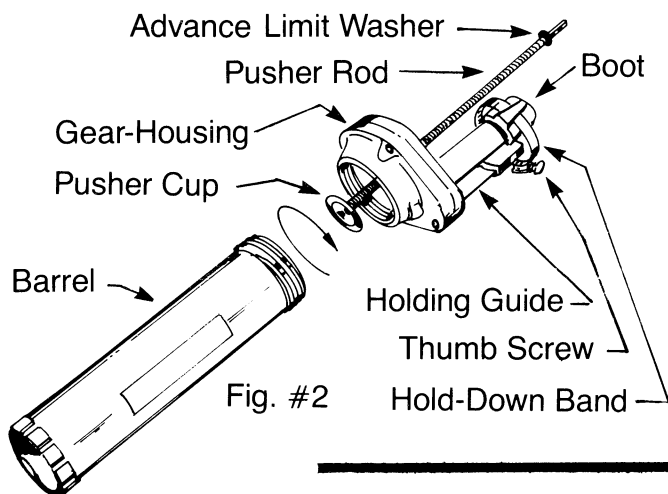


Fig. #2

Slide screwdriver between the holding guides of the gear-housing and fully engage the 1/4" hex shaft of the *Power Caulker* with the 1/4" hex collet of the screwdriver. Tighten the hold-down band to secure screwdriver in place. (See Fig. 3)

CAUTION overtightening could damage screwdriver housing.

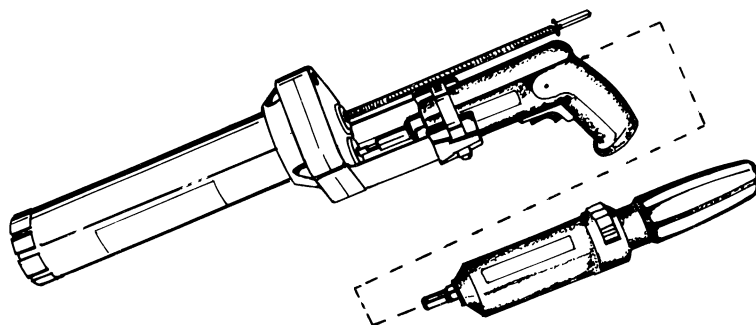


Fig. #3

Loading and Using the *Power Caulker*

Cut the nozzle of the cartridge at an angle so that the size of the opening is at the desired bead width, a 1/8" opening is recommended for most jobs. Puncture the inner seal of the cartridge with a long nail or stiff wire. (See Fig. 4)

If using a partially dispensed cartridge remove any hardened material from the nozzle with a nail or wire before loading.

Unscrew the barrel from the gear-housing.

Reverse the screwdriver and retract the pusher rod until the pusher cup is just inside the gear-housing. (See Fig. 5)

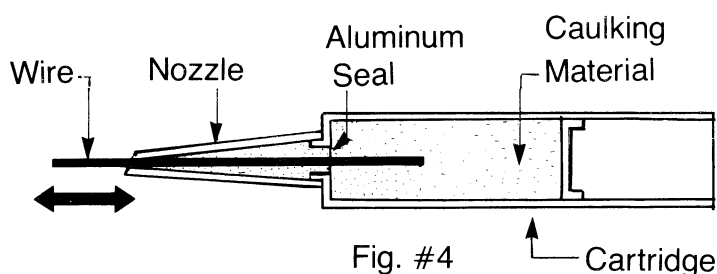
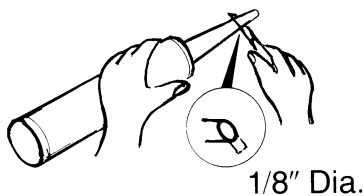


Fig. #4

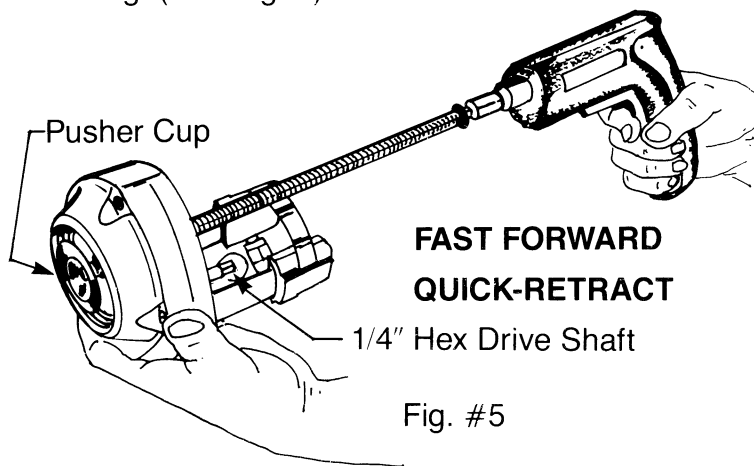


Fig. #5

NOTE: The pusher rod is designed with a 1/4" hex shaft which can be engaged by the screwdriver for fast-forward or quick-retract. **WHEN USING THIS FEATURE APPLY A SLIGHT PRESSURE TO THE 1/4" HEX DRIVE SHAFT WITH YOUR FINGER TO PREVENT IT FROM TURNING.**

Load the cartridge into the barrel and screw the barrel back into the gear-housing and lock it in place. (See Fig. 6)

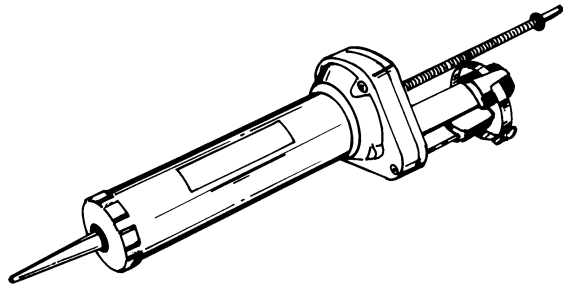


Fig. #6

Advance the pusher cup, by turning the pusher rod clockwise, until it engages the cartridge. This can be done by hand, or by using the fast-forward feature described above.

With the screwdriver in operating position gently depress screwdriver trigger forward advancing the gear-drive until material begins to flow. Begin moving the unit along the desired path. Adjust the material flow rate and the speed of movement until the desired bead width is achieved.

Near the end of the bead reverse the screwdriver trigger to relieve pressure and reduce **After Flow.**

To unload a cartridge unscrew the barrel from the gear-housing and remove the empty cartridge. Wipe away any over-flow compound from the pusher rod and cup and then retract the push rod using the quick-retract method described above. You may now insert a fresh cartridge.

Tips For Better Results

Run a few practice beads to acquaint yourself with the Power Caulker and to develop a technique best suited to you.

For more control grasp the screwdriver grip with one hand and support the barrel with the other hand. (See Fig. 7)

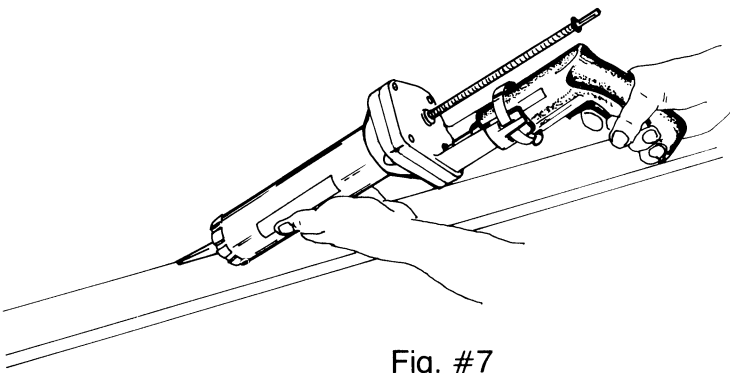


Fig. #7

For one handed operation make sure screwdriver is secure by checking the hold-down band and hold the screwdriver grip firmly. (See Fig. 8)

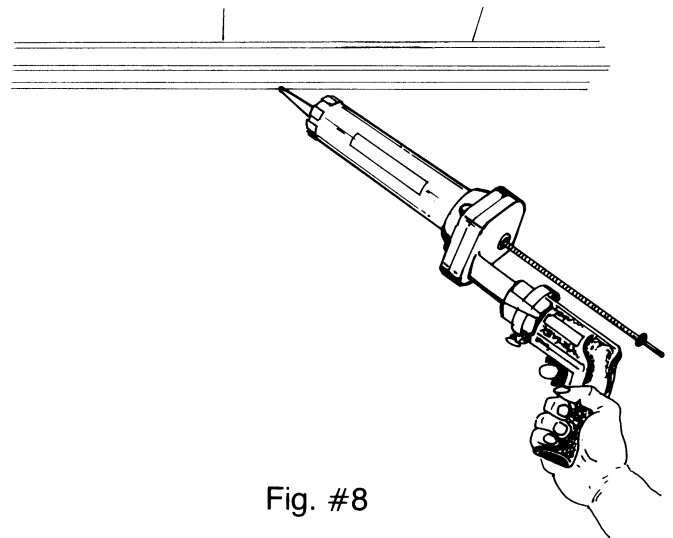


Fig. #8

SEARS

**owners
manual**

**MODEL NO.
171.25600**

WHEN CORRESPONDING, ALWAYS GIVE THE FOLLOWING INFORMATION AS SHOWN IN THIS LIST.

1. The PART NUMBER
2. The PART DESCRIPTION
3. The MODEL NUMBER 171.25600
4. The NAME OF ITEM – POWER CAULKER

Sold by SEARS, ROEBUCK AND CO., Chicago, IL. 60684 U.S.A.